

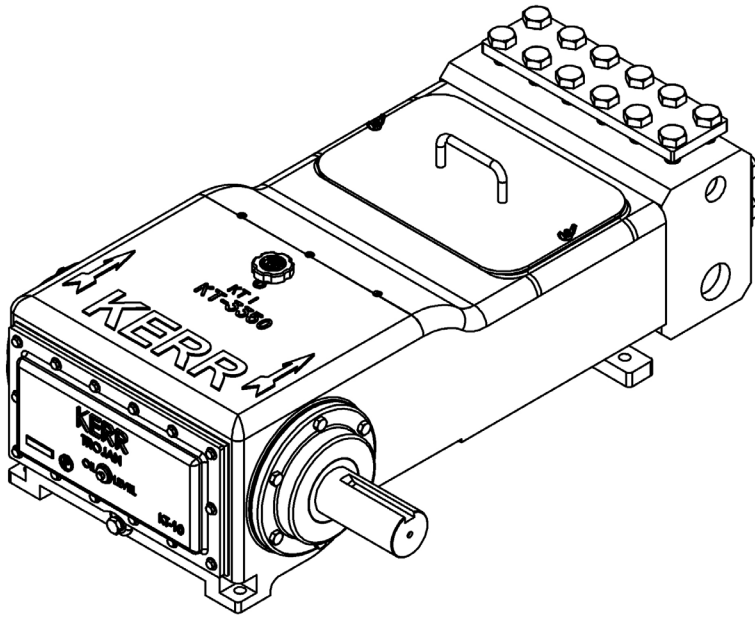
# KERR

## PUMPS

### KT-3350HP

71 BHP Triplex Plunger Pump

Continuous Duty



KT-3400HP RH

### SPECIFICATIONS

|                                    |  |
|------------------------------------|--|
| Configuration                      | Horizontal Triplex Plunger   |
| Number of Plungers                 | 3  |
| Stroke Length                      | 3.5" / 89 mm   |
| Frame Load Rating                  | 6,055 lbs  |
| Fluid Cylinder Pressure Rating     | 6,000 PSI  |
| Pump Weight (Avg.)                 | 1,200 lbs / 545 kilos  |
| Kerr Max Speed                     | 400 RPM  |
| API-674 Max Speed                  | 375 RPM  |
| Minimum Speed                      | 100 RPM  |
| Mechanical Efficiency (Bare Shaft) | 90%  |
| Lube System (Standard)             | Splash - Gravity Feed  |
| Lube System (Optional)             | Force Feed   |
| Lube Oil Capacity                  | 16 quarts / 15.4 liters  |
| Lube Oil Type                      | Petroleum per AGMA 5EP (ISO 220) or Synthetic per SAE 75W-90 (ISO 100) |
| Connection Sizes                   | 2" NPT Suction<br>1 1/4" NPT Discharge                                 |

### FLUID END

|                                      |
|--------------------------------------|
| Forged Carbon Steel (A105)           |
| Forged Stainless Steel (316)         |
| Other materials available on request |
|                                      |
|                                      |
|                                      |
|                                      |

### VALVES

|                                  |  |
|----------------------------------|--|
| WING GUIDED                      |  |
| Ni-Al-Brz (955) / Metal-to-Metal |  |
| Monel / Metal-to-Metal           |  |
| SS (316) / Metal-to-Metal        |  |
| 17-4 HT Metal-to-Metal           |  |
| SS (316) / AR Urethane Inserted  |  |
| 17-4 HT / AR Urethane Inserted   |  |

### PLUNGERS

|                                |
|--------------------------------|
| Colmonoy 730 Hard Coat         |
| Solid Ceramic (2,160 Max. PSI) |
| Kerramic (Ceramic) Coated      |
| Solid 316 Stainless Steel      |
|                                |
|                                |
|                                |

\* Consult Factory for Authorized Drawings for Dimensions

1) Displacement is based on 100% Volumetric Efficiency (VE)

2) Consult factory for operating speeds above maximum shown

3) 1 US gallon = 3.78541 liters

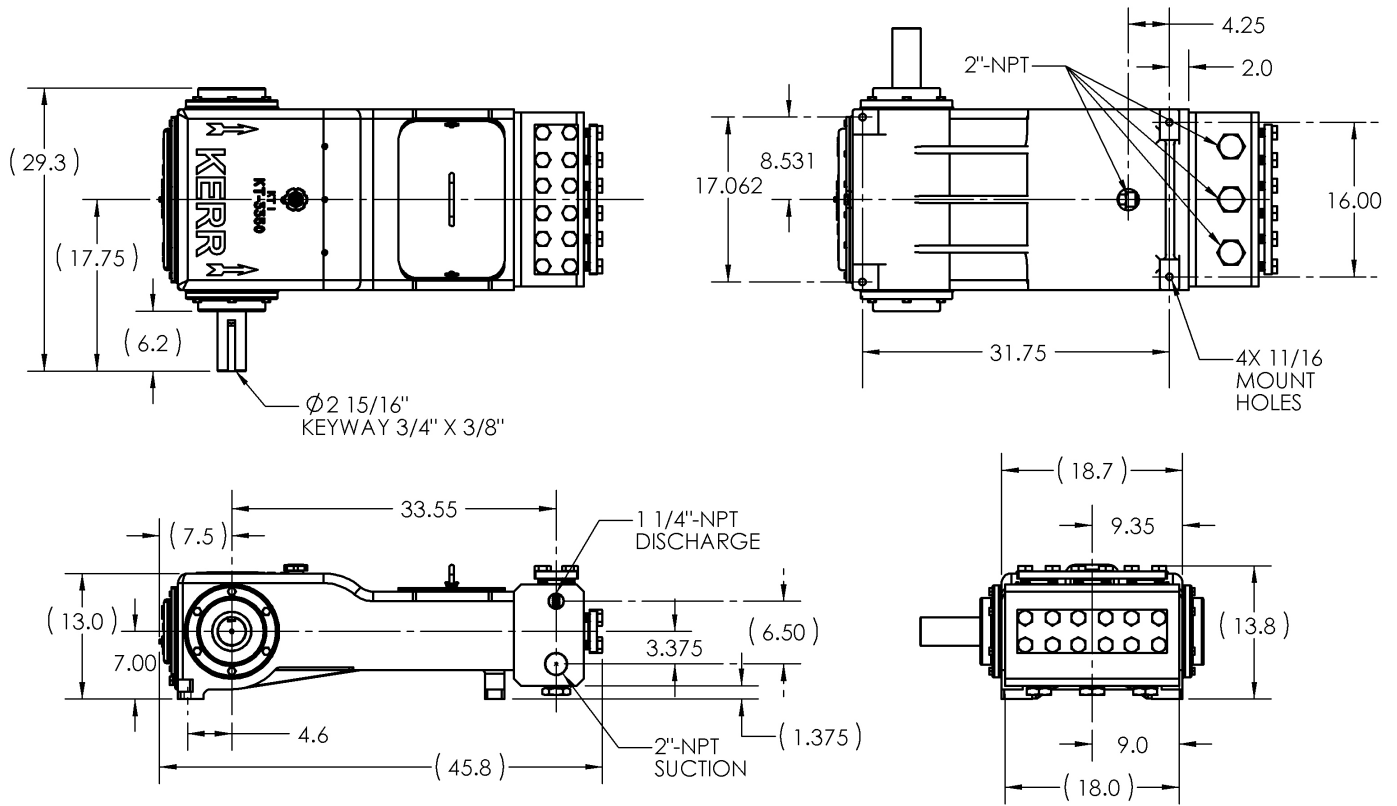
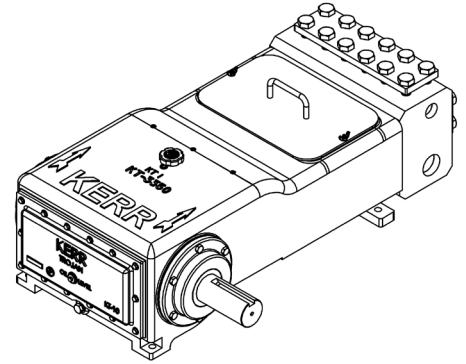
# KERR

## PUMPS

### KT-3350HP

71 BHP Triplex Plunger Pump

Continuous Duty



| PLGR DIA. INCHES | MAX PRESS PSI | DISP GAL PER REV | DISPLACEMENT |     |         |     |         |     |         |     |         |      |         |      |         |      |         |      |         |      |
|------------------|---------------|------------------|--------------|-----|---------|-----|---------|-----|---------|-----|---------|------|---------|------|---------|------|---------|------|---------|------|
|                  |               |                  | 100 RPM      |     | 150 RPM |     | 200 RPM |     | 250 RPM |     | 300 RPM |      | 325 RPM |      | 350 RPM |      | 375 RPM |      | 400 RPM |      |
|                  |               |                  | GPM          | BPD | GPM     | BPD | GPM     | BPD | GPM     | BPD | GPM     | BPD  | GPM     | BPD  | GPM     | BPD  | GPM     | BPD  | GPM     | BPD  |
| 1.000            | 6000          | 0.0357           | 3.6          | 122 | 5.4     | 184 | 7.1     | 245 | 8.9     | 306 | 10.7    | 367  | 11.6    | 398  | 12.5    | 429  | 13.4    | 459  | 14.3    | 490  |
| 1.250            | 4934          | 0.0558           | 5.6          | 191 | 8.4     | 287 | 11.2    | 383 | 13.9    | 478 | 16.7    | 574  | 18.1    | 622  | 19.5    | 670  | 20.9    | 717  | 22.3    | 765  |
| 1.500            | 3426          | 0.0803           | 8.0          | 276 | 12.0    | 413 | 16.1    | 551 | 20.1    | 689 | 24.1    | 827  | 26.1    | 895  | 28.1    | 964  | 30.1    | 1033 | 32.1    | 1102 |
| 1.750            | 2517          | 0.1093           | 10.9         | 375 | 16.4    | 563 | 21.9    | 750 | 27.3    | 938 | 32.8    | 1125 | 35.5    | 1219 | 38.3    | 1313 | 41.0    | 1406 | 43.7    | 1500 |

\* Consult Factory for Authorized Drawings for Dimensions

1) Displacement is based on 100% Volumetric Efficiency (VE)

2) Consult factory for operating speeds above maximum shown

3) 1 US gallon = 3.78541 liters