

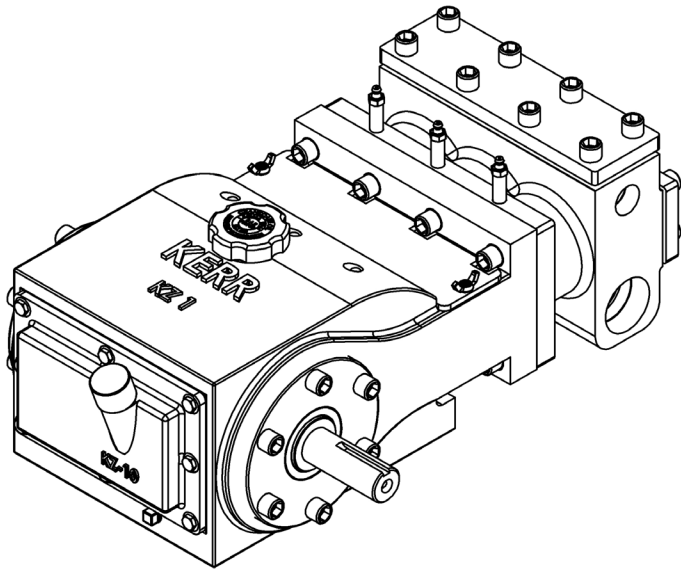
KERR

PUMPS

KZ-3150

12.2 BHP Triplex Plunger Pump

Continuous Duty



KZ-3150 RH

SPECIFICATIONS

Configuration	Horizontal Triplex Plunger
Number of Plungers	3
Stroke Length	1.5" / 38.1 mm
Frame Load Rating	1,842 lbs
Fluid Cylinder Pressure Rating	5,000 PSI
Pump Weight (Avg.)	175 lbs / 80 kilos
Kerr Max Speed	525 RPM
API-674 Max Speed	475 RPM
Minimum Speed	200 RPM
Mechanical Efficiency (Bare Shaft)	90%
Lube System (Standard)	Splash - Gravity Feed
Lube System (Optional)	Force Feed
Lube Oil Capacity	2 quarts / 1.9 liters
Lube Oil Type	SAE 30W Non-Detergent Motor Oil
Connection Sizes	1 1/2" NPT Suction 3/4" NPT Discharge

FLUID END

Cast Ductile Iron (65-45-12)
Cast Carbon Steel (WCB)
Cast Nickel Aluminium Bronze (955)
Cast Stainless Steel CF8M (316)
Cast Duplex SS CD3MN (2205)
Forged Carbon Steel (A105)
Forged Stainless Steel (316)

VALVES

RADIUS VALVE / SEAT MATERIAL	
Delrin / SS (316)	
SS (316) / SS (316)	

PLUNGERS

Colmonoy 730 Hard Coat
Solid Ceramic (2,160 Max. PSI)
Kerramic (Ceramic) Coated
Solid 316 Stainless Steel

* Consult Factory for Authorized Drawings for Dimensions

1) Displacement is based on 100% Volumetric Efficiency (VE)

2) Consult factory for operating speeds above maximum shown

3) 1 US gallon = 3.78541 liters

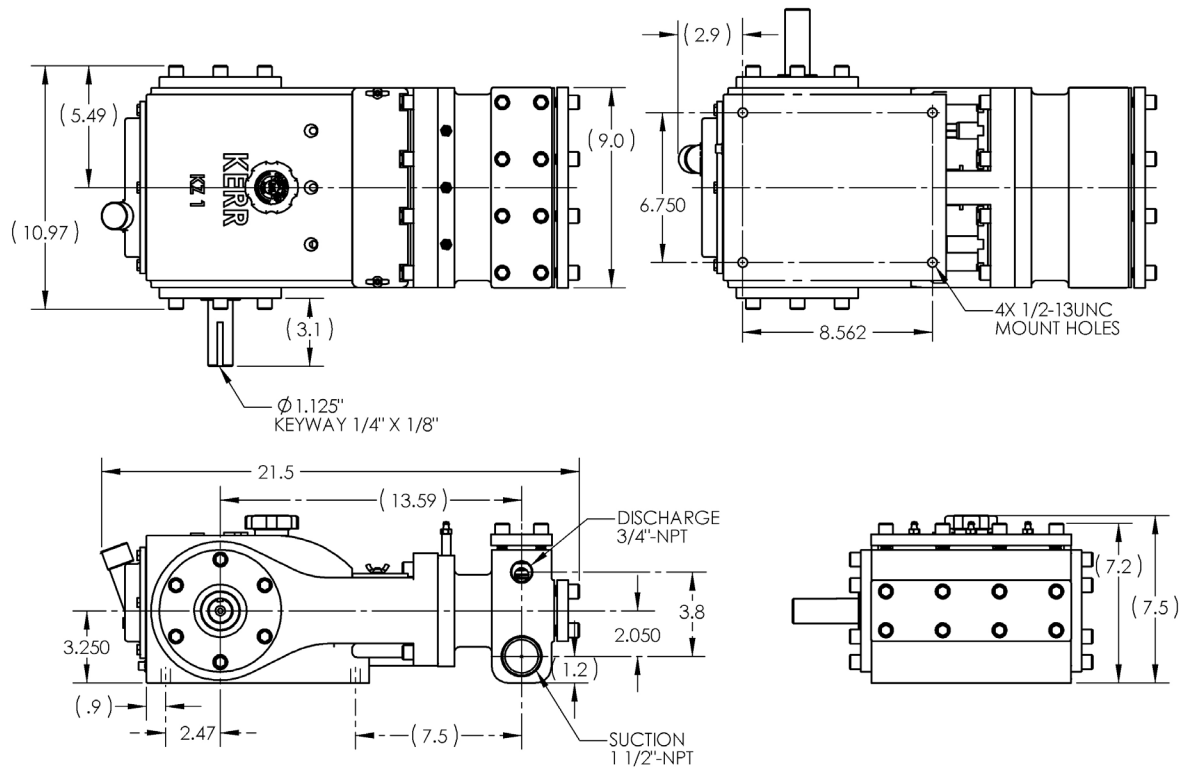
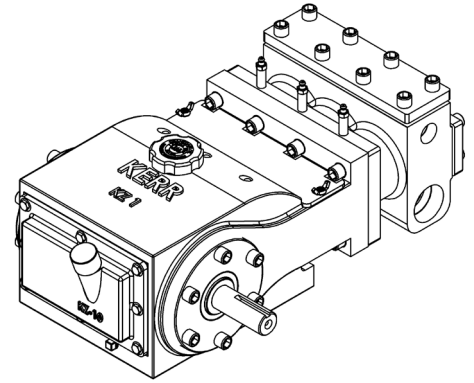
KERR

PUMPS

KZ-3150

12.2 BHP Triplex Plunger Pump

Continuous Duty



PLGR DIA. INCHES	MAX PRESS PSI	DISP GAL PER REV	DISPLACEMENT																	
			200 RPM		250 RPM		300 RPM		350 RPM		400 RPM		440 RPM		475 RPM		500 RPM		525 RPM	
			GPM	BPD	GPM	BPD	GPM	BPD	GPM	BPD	GPM	BPD	GPM	BPD	GPM	BPD	GPM	BPD	GPM	BPD
0.750	3960	0.0086	1.7	59	2.2	74	2.6	89	3.0	103	3.4	118	3.8	130	4.1	140	4.3	148	4.5	155
0.875	3063	0.0117	2.3	80	2.9	100	3.5	121	4.1	141	4.7	161	5.2	177	5.6	191	5.9	201	6.1	211
1.000	2345	0.0153	3.1	105	3.8	131	4.6	157	5.4	184	6.1	210	6.7	231	7.3	249	7.6	262	8.0	276
1.250	1501	0.0239	4.8	164	6.0	205	7.2	246	8.4	287	9.6	328	10.5	361	11.4	389	12.0	410	12.6	430
1.500	1042	0.0344	6.9	236	8.6	295	10.3	354	12.0	413	13.8	472	15.1	520	16.4	561	17.2	590	18.1	620

* Consult Factory for Authorized Drawings for Dimensions

1) Displacement is based on 100% Volumetric Efficiency (VE)

2) Consult factory for operating speeds above maximum shown

3) 1 US gallon = 3.78541 liters